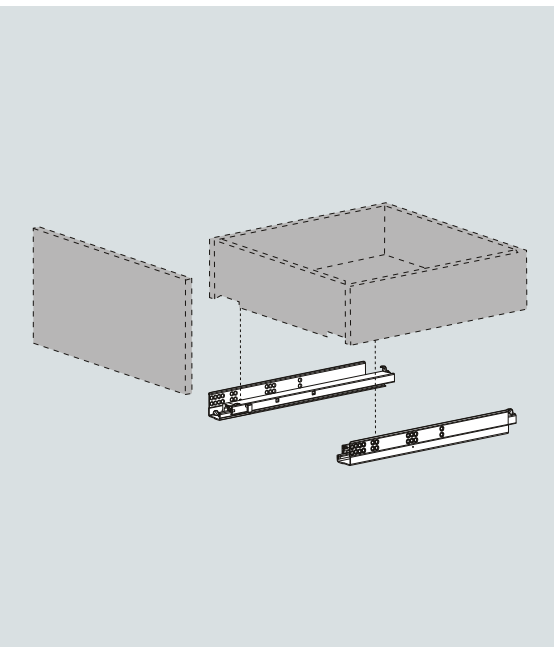
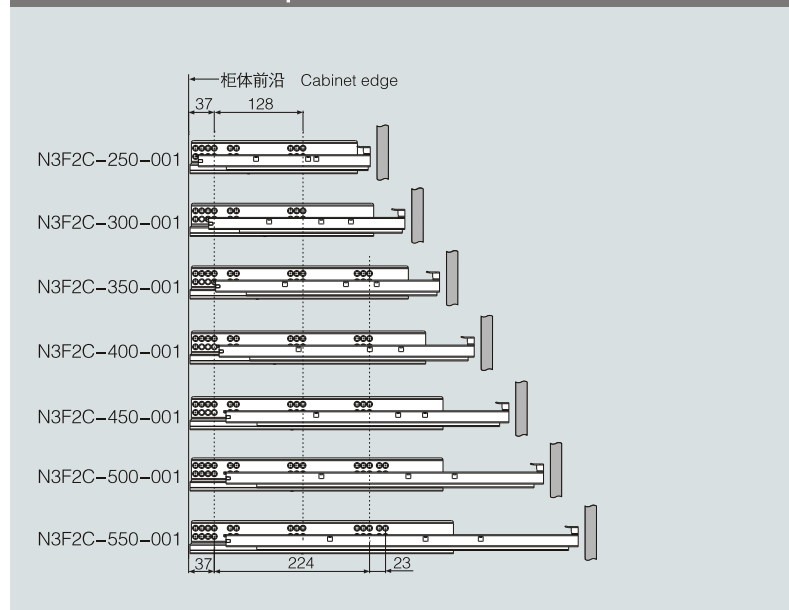


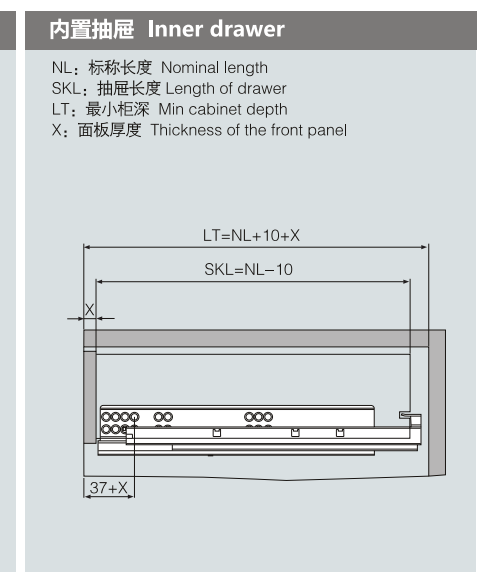
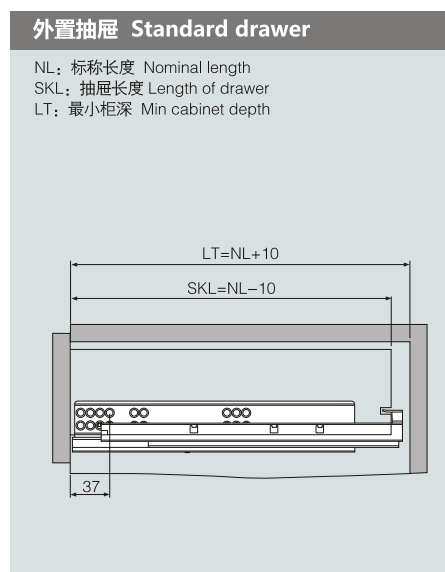
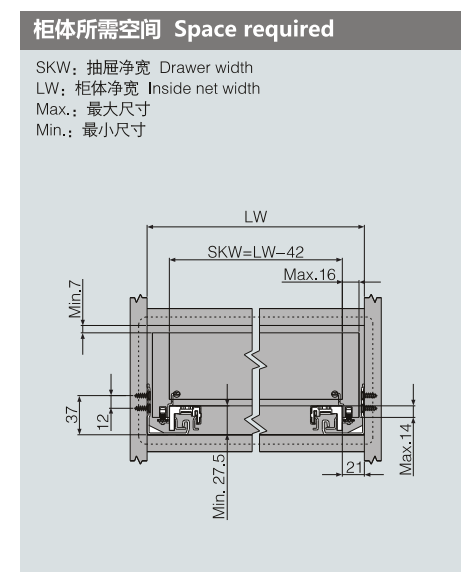
- 隐藏式、全拉出、静音式
- 载重: 35kg
- 材料: 镀锌板
- 材料厚度(上、中、下)轨: 1.0x1.5x1.8mm
- 无需工具, 抽屉可快速安装与拆卸
- 静音系统, 滑轨运动顺畅
- 抽屉高度可调节0-4mm
- 缓冲功能 平缓关闭

- Concealed, full extension, quiet movement
- Dynamic load capacity: 35kg
- Material: galvanized steel
- Material thickness: 1.0x1.5x1.8mm
- Tool-free quick installation
- Quiet system guarantees the slides run smoothly without noise
- Drawer height adjustable for 0-4mm
- Soft-closing function make the drawer close safely without effect of weight

柜体滑轨安装孔尺寸 Hole pattern



| 产品型号 Item No. | 标称长度NL (mm) Nominal length | 拉出长度 (mm) Travel length | 最小柜深LT (mm) (外抽 / 内抽) Min cabinet depth (Standard / Inner) | 包装 (套/箱) Packing (Set/Box) |
|------------------|-------------------------------|----------------------------|---|-------------------------------|
| N3F2C-250-001 | 250 | 229 | 260 / 260+X | 10 |
| N3F2C-300-001 | 300 | 279 | 310 / 310+X | 10 |
| N3F2C-350-001 | 350 | 329 | 360 / 360+X | 10 |
| N3F2C-400-001 | 400 | 379 | 410 / 410+X | 10 |
| N3F2C-450-001 | 450 | 429 | 460 / 460+X | 10 |
| N3F2C-500-001 | 500 | 479 | 510 / 510+X | 10 |
| N3F2C-550-001 | 550 | 529 | 560 / 560+X | 10 |

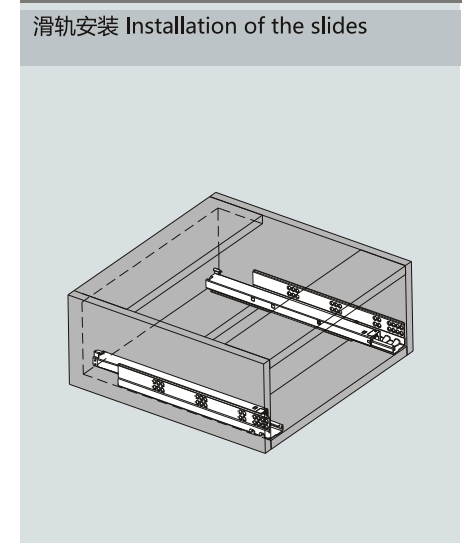


抽屉后板开槽打孔尺寸 Hole size on rear panel of the drawer

NL: 标称长度 Nominal length
 Min.: 最小尺寸

| NL (mm) | A (mm) | B (mm) |
|---------|--------|--------|
| 250 | 190 | 200.5 |
| 300 | 245 | 255.5 |
| 350 | 270 | 280.5 |
| 400 | 305 | 319.5 |
| 450 | 330 | 369.5 |
| 500 | 355 | 419.5 |
| 550 | 390 | 469.5 |

装卸调试步骤说明 Installation instruction



抽屉安装与调节 Installation of the drawer and adjustment

可通过调节轮调节抽屉高度0-4mm
 Drawer height adjustable for 0-4mm by adjustment wheel.

将滑轨全拉出, 插销解锁后(或留意下插销是否处于解锁状态), 把抽屉与滑轨上的定位块对准放下, 然后将插销锁定, 再将抽屉水平推入柜体, 抽屉即可关闭
 Fully open the slides, make sure the lock in the unlocked station, push the drawer down on the slides, then close the drawer.

