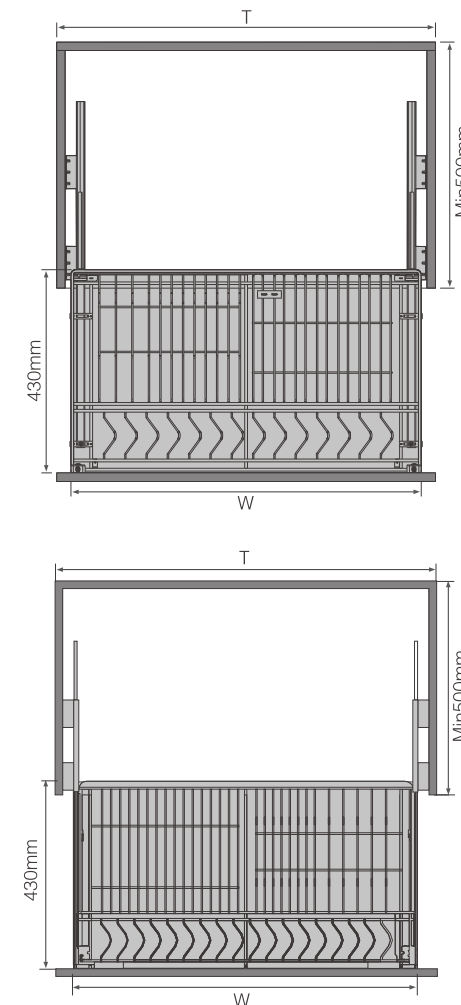
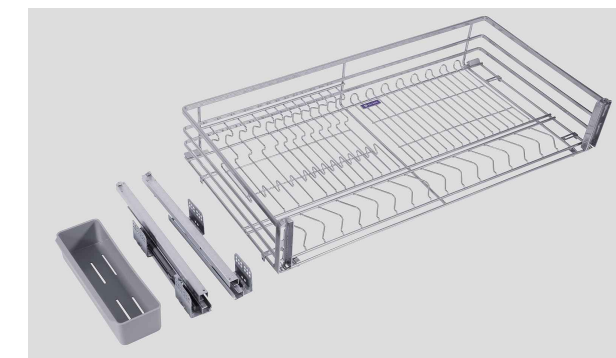




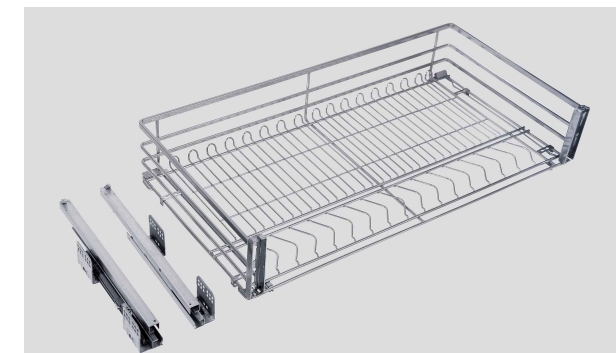
结构尺寸 DIMENSION



产品图 PRODUCTS



扁钢纳米干镀多功能三边碗盘篮 Three-side dish basket



扁钢纳米干镀多功能三边平篮 Three-side flat basket



产品参数 PARAMETERS

THREE-SIDE MULTIFUNCTION SPICE BASKET / 扁钢纳米干镀多功能三边炉台篮豪华套装(平篮+碗篮)

型号 Item	柜体宽度 Cabinet (T)	宽x深x高 Width x Depth x Height	描述 Description
SHBN110600	600mm	W540 x D430 x H146mm	Nano dry plating
SHBN110700	700mm	W640 x D430 x H146mm	Nano dry plating
SHBN110720	720mm	W660 x D430 x H146mm	Nano dry plating
SHBN110750	750mm	W690 x D430 x H146mm	Nano dry plating
SHBN110800	800mm	W740 x D430 x H146mm	Nano dry plating
SHBN110900	900mm	W840 x D430 x H146mm	Nano dry plating

注：配双接水盘、超大筷子盒、双盖板、缓冲滑轨