

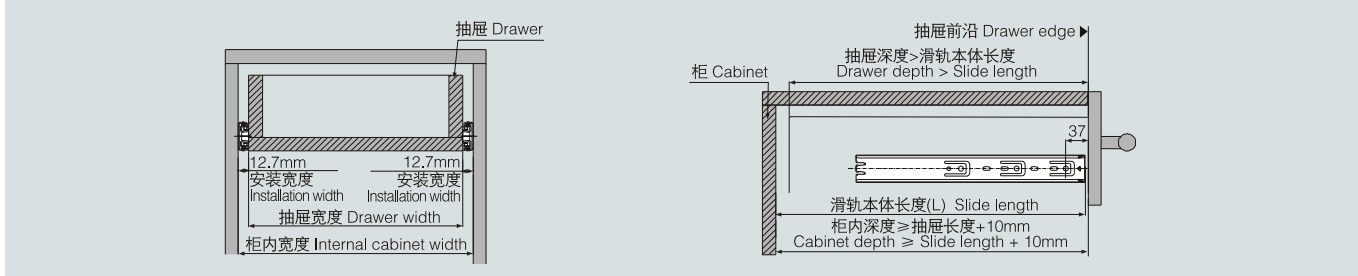
R4605H 互锁三节滚珠滑轨 Full Extension Ball Bearing Slide



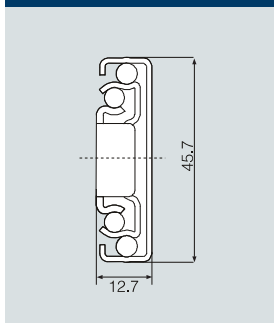
- 三节滚珠滑轨
- 滑轨宽度: 45.7mm
- 载重: 45kg
- 表面处理: 电泳、电镀
- 材质: 冷轧钢板
- 材料厚度(内、中、外)轨: 1.5x1.2x1.2mm

- Full-extension
- Slide width: 45.7mm
- Dynamic load capacity: 45kg
- Finish: electrophoresis, plating
- Material: cold rolled steel
- Thickness of material(I/M/O)part: 1.5x1.2x1.2mm

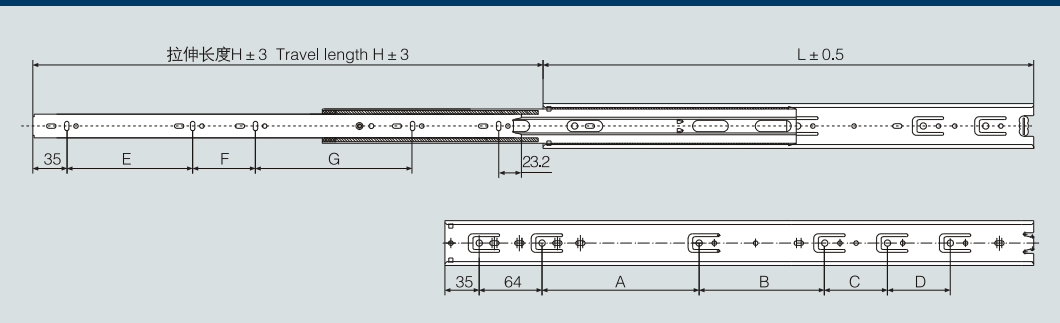
滑轨安装尺寸 Installation size



滑轨截面图 Profile



滑轨安装孔尺寸 Hole pattern



产品型号 Item No.	Length mm	A mm	B mm	C mm	D mm	E mm	F mm	G mm	L mm	H mm
R4605H-250	250	86				64			250	238
R4605H-300	300	136				128			300	306
R4605H-350	350	160				128			350	370
R4605H-400	400	160	64			128			400	420
R4605H-450	450	160	128			128	192		450	469
R4605H-500	500	160	128	64		128	64	160	500	519
R4605H-550	550	160	128	64		128	64	192	550	548
R4605H-600	600	160	128	64	64	128	64	224	600	621

滚珠滑轨
Ball bearing slide