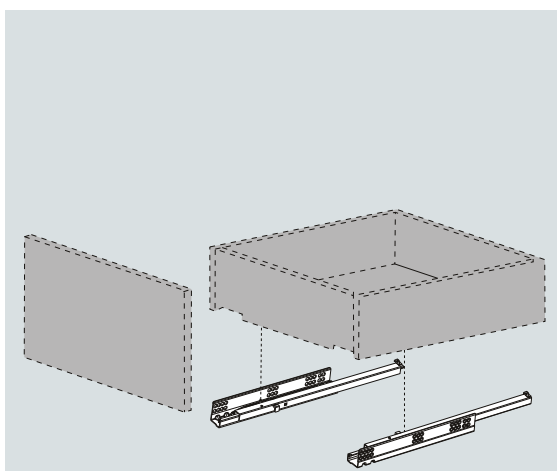
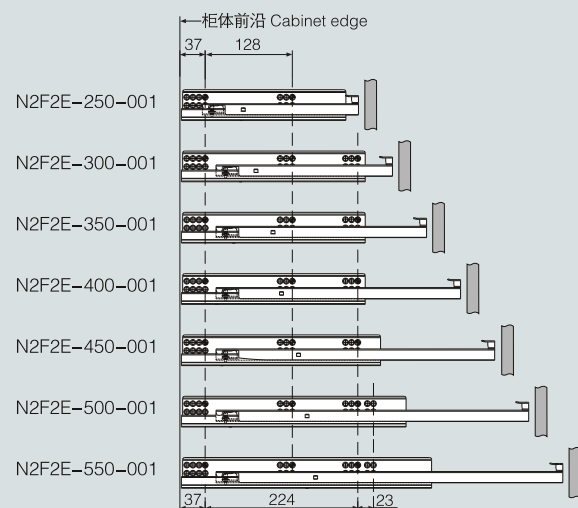


- 隐藏式、静音式
- 载重: 25kg
- 材料: 镀锌板
- 材料厚度(上、下轨): 1.5x1.5mm
- 无需工具, 抽屉可快速安装与拆卸
- 静音系统, 滑轨运动顺畅
- 抽屉高度可调节0-4mm
- 缓冲功能 平缓关闭
  
- Concealed, quiet movement
- Dynamic load capacity: 25kg
- Material: galvanized steel
- Material thickness: 1.5x1.5mm
- Tool-free quick installation
- Quiet system guarantee the slide run smoothly without noise
- Drawer height is adjustable for 0-4mm
- Soft-closing function make the drawer close safely without effect of weight

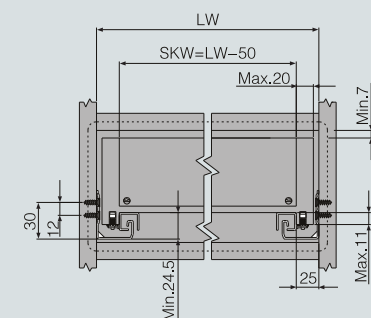
**柜体滑轨安装孔尺寸 Hole pattern**



产品型号 Item No.	标称长度NL (mm) Nominal length	拉出长度 (mm) Travel length	最小柜深LT (mm) (外抽 / 内抽) Min cabinet depth (Standard / Inner)	包装 (套/箱) Packing (Set/Box)
N2F2E-250-001	250	167	260 / 260+X	10
N2F2E-300-001	300	204	310 / 310+X	10
N2F2E-350-001	350	254	360 / 360+X	10
N2F2E-400-001	400	279	410 / 410+X	10
N2F2E-450-001	450	328	460 / 460+X	10
N2F2E-500-001	500	354	510 / 510+X	10
N2F2E-550-001	550	379	560 / 560+X	10

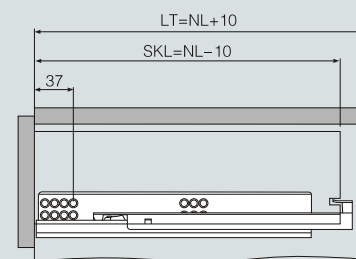
**柜体所需空间 Space required**

SKW: 抽屉净宽 Drawer width  
LW: 柜体净宽 Inside net width  
Max.: 最大尺寸  
Min.: 最小尺寸



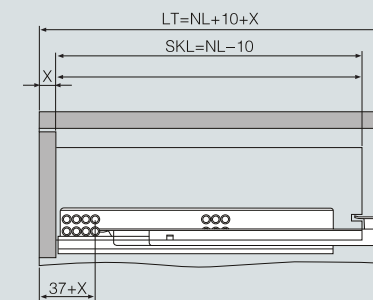
**外置抽屉 Standard drawer**

NL: 标称长度 Nominal length  
SKL: 抽屉长度 Length of drawer  
LT: 最小柜深 Min cabinet depth



**内置抽屉 Inner drawer**

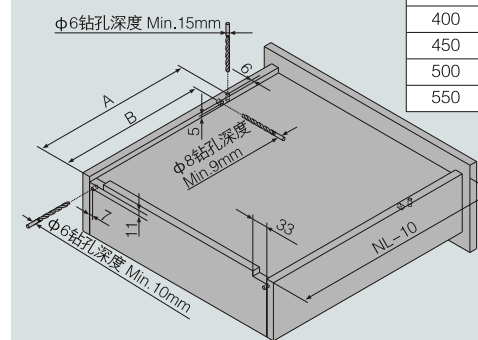
NL: 标称长度 Nominal length  
SKL: 抽屉长度 Length of drawer  
LT: 最小柜深 Min cabinet depth  
X: 面板厚度 Thickness of the front panel



**抽屉后板开槽打孔尺寸 Hole size on rear panel of the drawer**

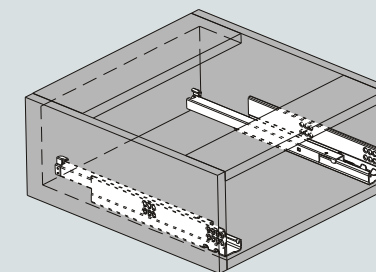
NL: 标称长度 Nominal length  
Min.: 最小尺寸

NL (mm)	A (mm)	B (mm)
250	220	188
300	245	213
350	270	238
400	305	273
450	330	298
500	355	323
550	390	358

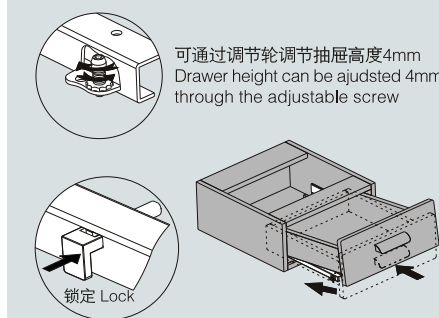


**装卸调试步骤说明 Installation instruction**

**滑轨安装 Installation of the slides**



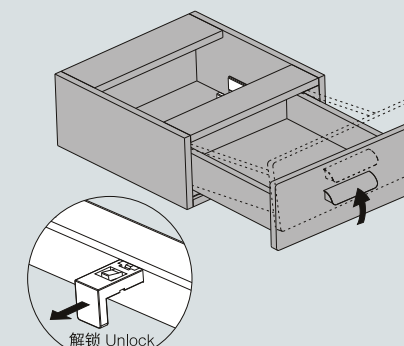
**抽屉安装与调节 Installation of the drawer and adjustment**



可通过调节轮调节抽屉高度4mm  
Drawer height can be adjusted 4mm through the adjustable screw

将滑轨全拉出, 插销解锁后(或留意下插销是否处于解锁状态), 把抽屉与滑轨上的定位块对准放下, 然后将插销锁定, 再将抽屉水平推入柜体, 抽屉即可关闭  
Fully open the slide, make sure the lock in the unlocked station, push the drawer down on the slides, then close the drawer.

**抽屉拆卸 Removal of the drawer**



将抽屉全拉出, 侧插销解锁后, 抽屉按箭头方向向上提, 即可拆卸。  
Fully pull out the drawer, then unlock the screw adjustment, dis-assembling the drawer by up lifting.