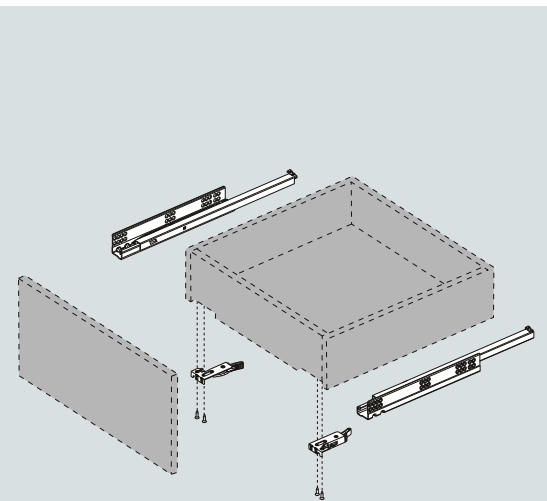
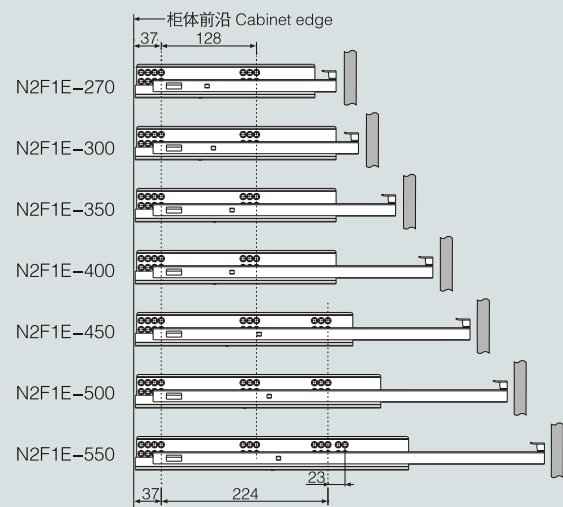


可选塑料分离器 Plastic Locking Device

铁分离器 Iron Locking Device

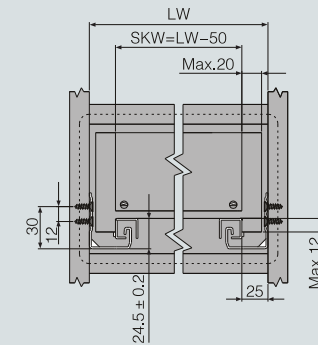
- 隐藏式、静音式
- 载重: 25kg
- 材料: 镀锌板
- 材料厚度(上、下)轨: 1.5x1.5mm
- 无需工具, 抽屉可快速安装与拆卸
- 静音系统, 滑轨运动顺畅
- 抽屉高度可调节0-2mm
- 缓冲功能 平缓关闭
- Concealed, quiet movement
- Dynamic load capacity: 25kg
- Material: galvanized steel
- Material thickness: 1.5x1.5mm
- Tool-free quick installation
- Quiet system guarantee the slide run smoothly without noise
- Drawer height is adjustable for 0-2mm
- Soft-closing function make the drawer close safely without effect of weight

**柜体滑轨安装孔尺寸 Hole pattern**



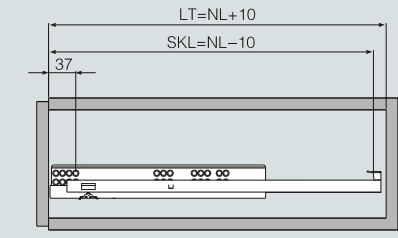
**柜体所需空间 Space required**

SKW: 抽屉净宽 Drawer width  
LW: 柜体净宽 Inside net width  
Max.: 最大尺寸



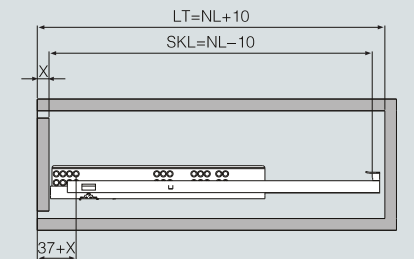
**外置抽屉 Standard drawer**

NL: 标称长度 Nominal length  
SKL: 抽屉长度 Length of drawer  
LT: 最小柜深 Min cabinet depth



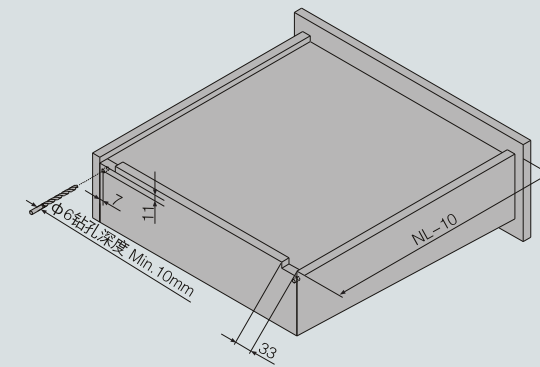
**内置抽屉 Inner drawer**

NL: 标称长度 Nominal length  
SKL: 抽屉长度 Length of drawer  
LT: 最小柜深 Min cabinet depth  
X: 面板厚度 Thickness of the front panel

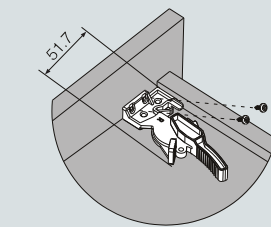


**抽屉后板开槽打孔尺寸 Hole size on rear panel of the drawer**

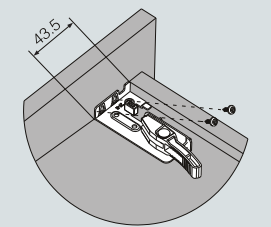
NL: 标称长度 Nominal length  
Min.: 最小尺寸



**分离器安装 Installation of the locking device**



塑料分离器 Plastic locking device

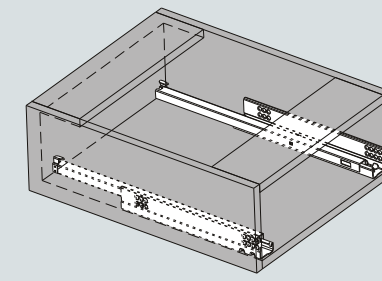


铁分离器 Iron locking device

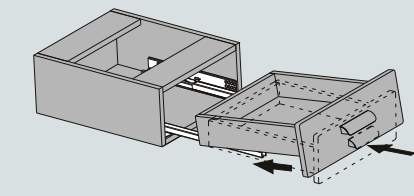
可选配塑料分离器或铁分离器  
Plastic locking device or iron locking device

**装卸调试步骤说明 Installation instruction**

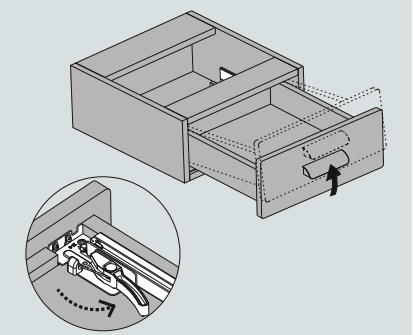
**滑轨安装 Installation of the slides**



**抽屉安装与调节 Installation of the drawer and adjustment**



**抽屉拆卸 Removal of the drawer**



双手轻压分离器, 见箭头方向, 即可拆卸  
Press the connect handle with your hands softly in the direction of the arrow, then remove the drawer

产品型号 Item No.	标称长度NL (mm) Nominal Length	拉出长度 (mm) Travel length	最小柜深LT (mm) (外抽 / 内抽) Min cabinet depth (Standard / Inner)	包装 (套/箱) Packing (Set/Box)
N2F1E-270	270	187	280 / 280+X	10
N2F1E-300	300	204	310 / 310+X	10
N2F1E-350	350	254	360 / 360+X	10
N2F1E-400	400	279	410 / 410+X	10
N2F1E-450	450	328	460 / 460+X	10
N2F1E-500	500	354	510 / 510+X	10
N2F1E-550	550	379	560 / 560+X	10