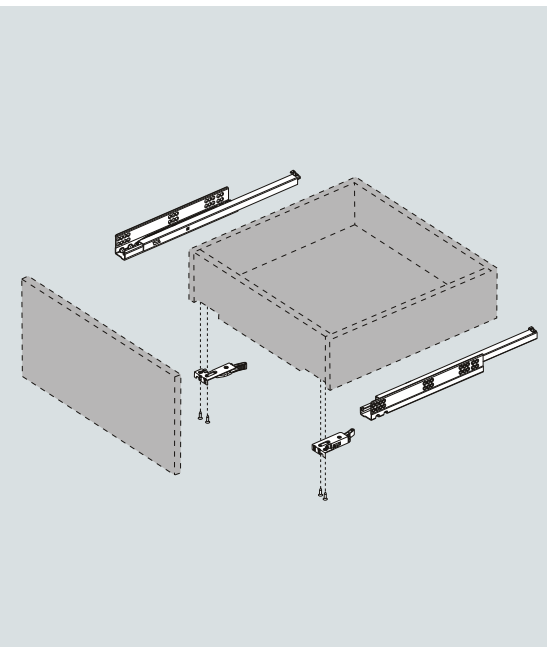
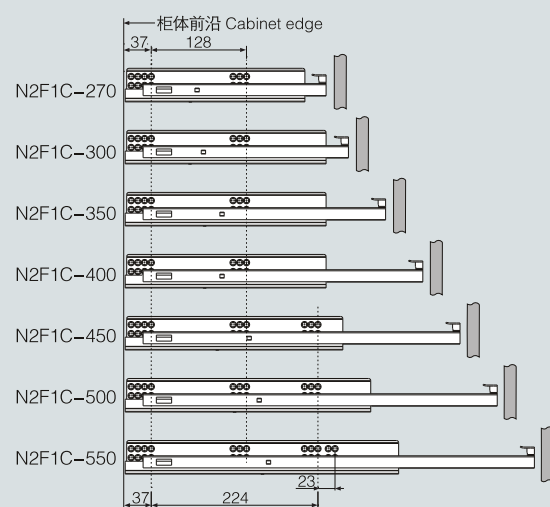


可选塑料分离器 Plastic Locking Device

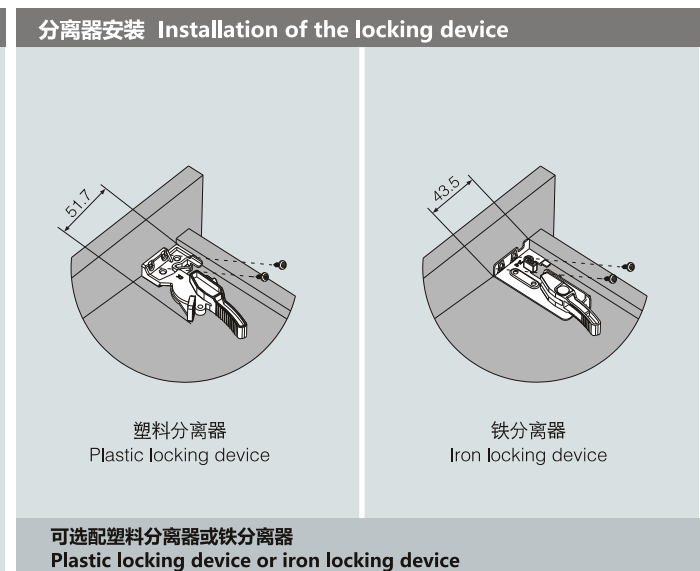
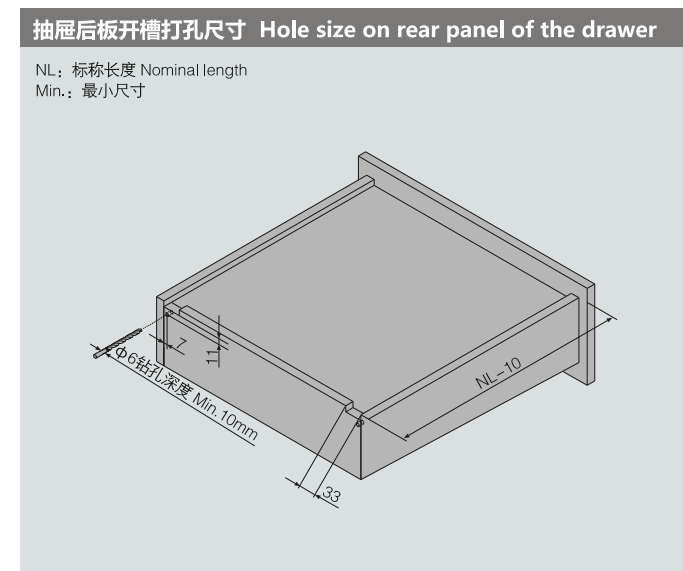
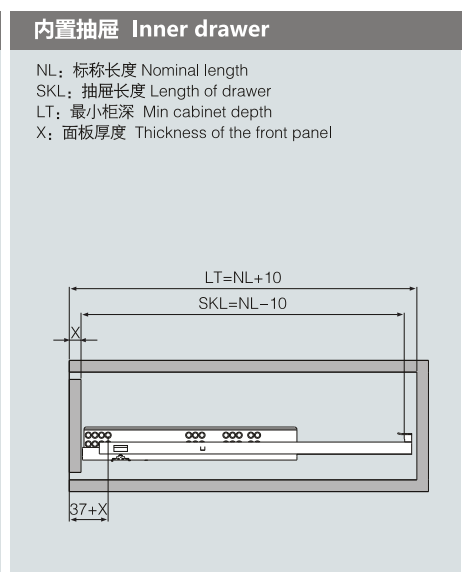
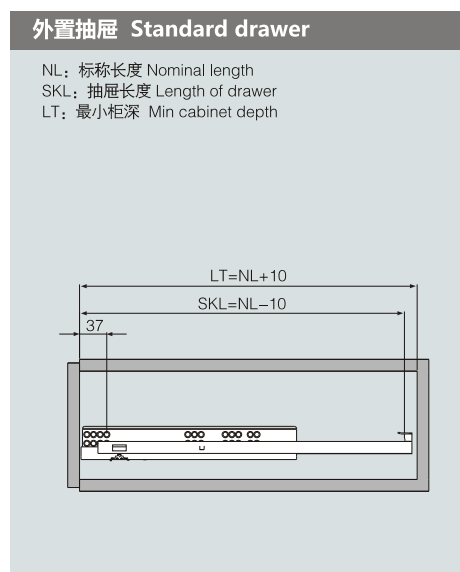
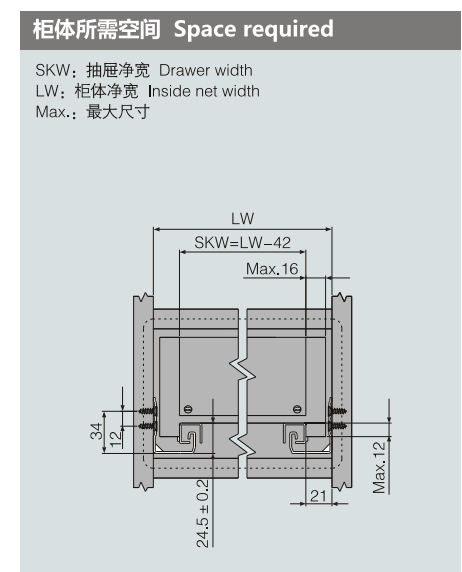
铁分离器 Iron Locking Device

- 隐藏式、静音式
 - 载重: 25kg
 - 材料: 镀锌板
 - 材料厚度(上、下轨): 1.5x1.5mm
 - 无需工具, 抽屉可快速安装与拆卸
 - 静音系统, 滑轨运动顺畅
 - 抽屉高度可调节0-2mm
 - 缓冲功能 平缓关闭
-
- Concealed, quiet movement
 - Dynamic load capacity: 25kg
 - Material: galvanized steel
 - Material thickness: 1.5x1.5mm
 - Tool-free quick installation
 - Quiet system guarantee the slide run smoothly without noise
 - Drawer height is adjustable for 0-2mm
 - Soft-closing function make the drawer close safely without effect of weight

柜体滑轨安装孔尺寸 Hole pattern



产品型号 Item No.	标称长度NL (mm) Nominal length	拉出长度 (mm) Travel length	最小柜深LT (mm) (外抽 / 内抽) Min cabinet depth (Standard / Inner)	包装 (套/箱) Packing (Set/Box)
N2F1C-270	270	187	280 / 280+X	10
N2F1C-300	300	204	310 / 310+X	10
N2F1C-350	350	254	360 / 360+X	10
N2F1C-400	400	279	410 / 410+X	10
N2F1C-450	450	328	460 / 460+X	10
N2F1C-500	500	354	510 / 510+X	10
N2F1C-550	550	379	560 / 560+X	10



装卸调试步骤说明 Installation instruction

