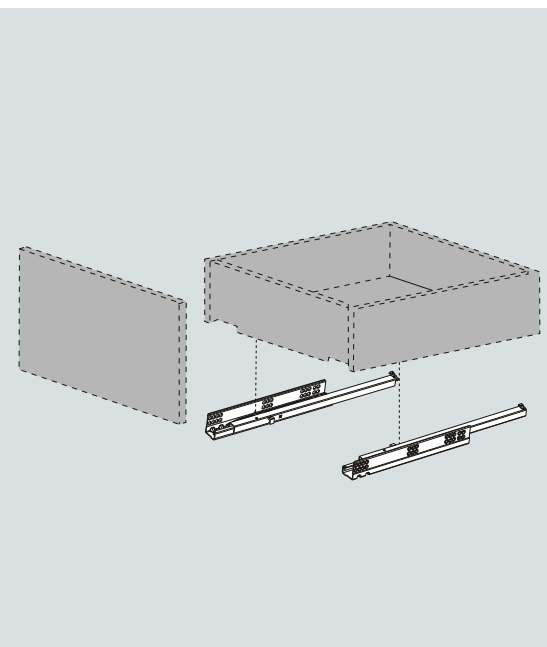
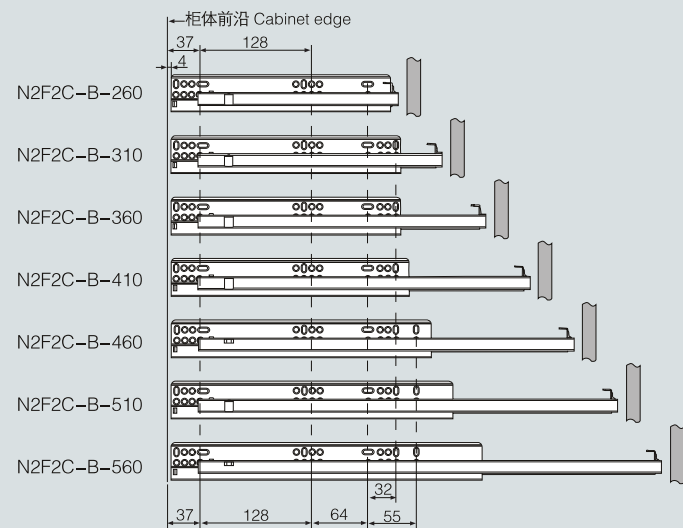


- 隐藏式、静音式
 - 载重: 20kg
 - 材料: 镀锌板
 - 材料厚度(上、下轨): 1.0x1.0mm
 - 无需工具, 抽屉可快速安装与拆卸
 - 静音系统, 滑轨运动顺畅
 - 抽屉高度可调节0-4mm
 - 缓冲功能, 平缓关闭
-
- Concealed, quiet movement
 - Dynamic load capacity: 20kg
 - Material: galvanized steel
 - Material thickness: 1.0x1.0mm
 - Tool-free quick installation
 - Quiet system guarantee the slide run smoothly without noise
 - Drawer height is adjustable for 0-4mm
 - Soft-closing function make the drawer close safely without effect of weight

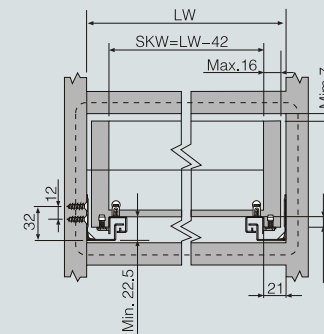
柜体滑轨安装孔尺寸 Hole pattern



产品型号 Item No.	标称长度NL (mm) Nominal Length	拉出长度 (mm) Travel length	最小柜深LT (mm) (外抽 / 内抽) Min cabinet depth (Standard / Inner)	包装 (套/箱) Packing (Set/Box)
N2F2C-B-260	260	169	268/ 268+X	10
N2F2C-B-310	310	219	318/ 318+X	10
N2F2C-B-360	360	269	368/ 368+X	10
N2F2C-B-410	410	299	418/ 418+X	10
N2F2C-B-460	460	349	468/ 468+X	10
N2F2C-B-510	510	399	518/ 518+X	10
N2F2C-B-560	560	431	568/ 568+X	10

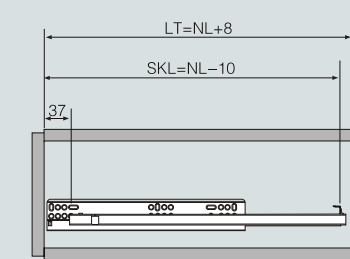
柜体所需空间 Space required

SKW: 抽屉净宽 Drawer width
LW: 柜体净宽 Inside net width
Max.: 最大尺寸
Mix.: 最小尺寸



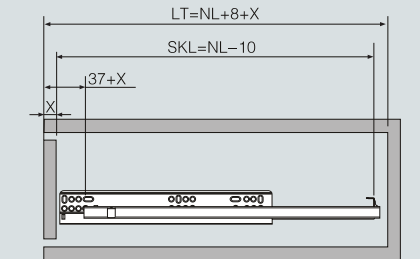
外置抽屉 Standard drawer

NL: 标称长度 Nominal length
SKL: 抽屉长度 Length of drawer
LT: 最小柜深 Min cabinet depth



内置抽屉 Inner drawer

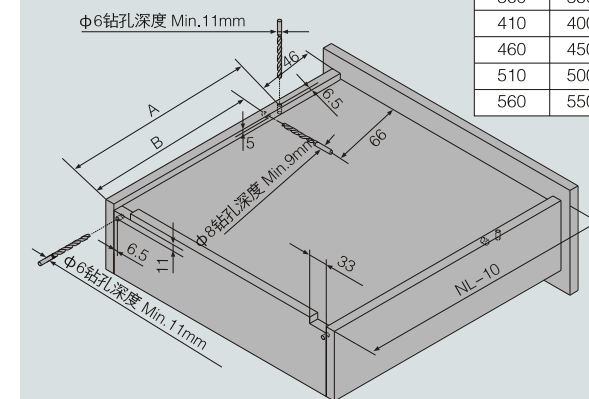
NL: 标称长度 Nominal length
SKL: 抽屉长度 Length of drawer
LT: 最小柜深 Min cabinet depth
X: 面板厚度 Thickness of the front panel



抽屉后板开槽打孔尺寸 Hole size on rear panel of the drawer

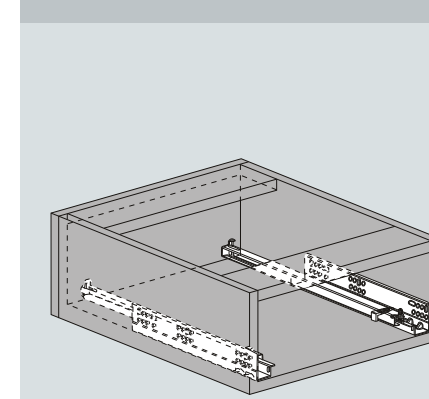
NL: 标称长度 Nominal length
Min.: 最小尺寸

NL (mm)	A (mm)	B (mm)
260	250	204
310	300	254
360	350	304
410	400	354
460	450	404
510	500	454
560	550	504



装卸调试步骤说明 Installation instruction

滑轨安装 Installation of the slides



抽屉安装与调节 Installation of the drawer and adjustment

可通过调节轮调节抽屉高度4mm
Drawer height can be adjustable 4mm through the adjustable screw.

将滑轨全拉出, 插销解锁后(或留意下插销是否处于解锁状态), 把抽屉与滑轨上的定位块对准放下, 然后将插销锁定, 再将抽屉水平推入柜体, 抽屉即可关闭
Fully open the slides, make sure the lock in the unlocked station, push the drawer down on the slides, then close the drawer.

抽屉拆卸 Removal of the drawer

将抽屉全拉出, 侧插销解锁后, 抽屉按箭头方向向上提, 即可拆卸。
Fully pull out the drawer, lift it according to the direction of the arrow, the drawer can be demounted easily.