

SH1710C/SH1708 PARTIAL EXTENSION BALL BEARING SLIDE 二节滚珠滑轨

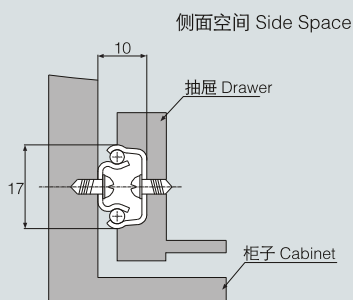


- 二节滚珠滑轨
- 特点：可双向抽拉
- 载重：10kg
- 材质：冷轧钢板、镀锌板
- 材料厚度(内、外)轨：1.0x1.0mm
- Partial extension ball bearing slide
- Features: two way travel.
- Dynamic load capacity: 10kg
- Material: cold rolled steel, galvanized steel
- Thickness of material(I/O)part: 1.0x1.0mm

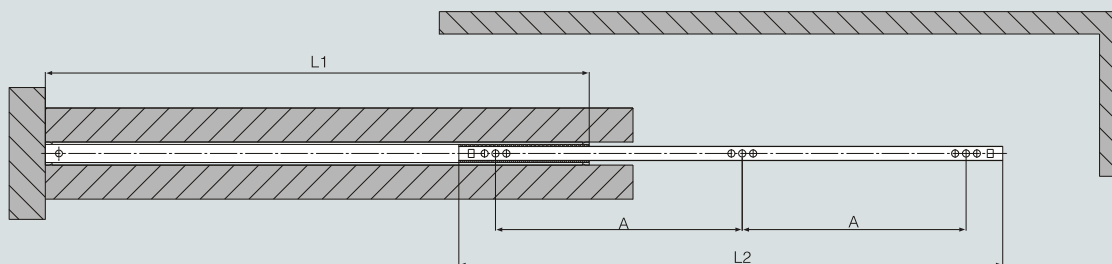
注 Note: SH1708

- 材料厚度(内、外)轨：0.8x0.8mm
- Thickness of material(I/O)part: 0.8x0.8mm

滑轨安装尺寸 Installation size



滑轨安装孔尺寸 Hole pattern



产品型号 Item No.	Length mm	L1 mm	L2 mm	A mm
SH1710C-182	182	182	182	64
SH1710C-214	214	214	214	80
SH1710C-246	246	246	246	96
SH1710C-278	278	278	278	112
SH1710C-310	310	310	310	128
SH1710C-342	342	342	342	144
SH1710C-374	374	374	374	160
SH1710C-438	438	438	438	192