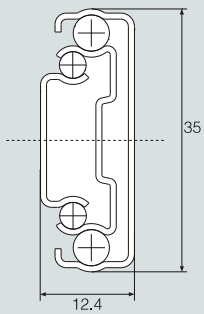




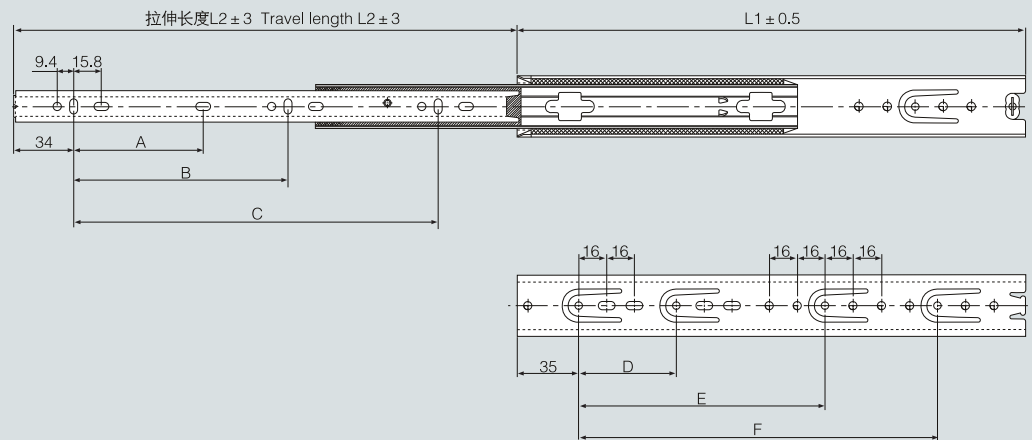
- 全拉出可拆式轻型钢珠滑轨
- 滑轨宽度: 35mm
- 载重: 15kg
- 表面处理: 电镀、电泳
- 材质: 冷轧钢板
- 材料厚度(内、中、外)轨: 0.8x0.8x0.8mm

- Full-extension disconnectable
- Slide width: 35mm
- Dynamic load capacity: 15kg
- Finish: electrophoresis, plating
- Material: cold rolled steel
- Thickness of material(I/M/O)part: 0.8x0.8x0.8mm

滑轨截面图 Profile



滑轨安装孔尺寸 Hole pattern



产品型号 Item No.	Length mm	A mm	B mm	C mm	D mm	E mm	F mm	L1 mm	L2 mm
SH35888-240	240	78	160		64	160		240	234
SH35888-290	290		96	208	64	192		290	287
SH35888-340	340		128	256	64	192	256	340	340
SH35888-390	390		128	288	64	224	288	390	390
SH35888-440	440		160	352	64	256	320	440	440