

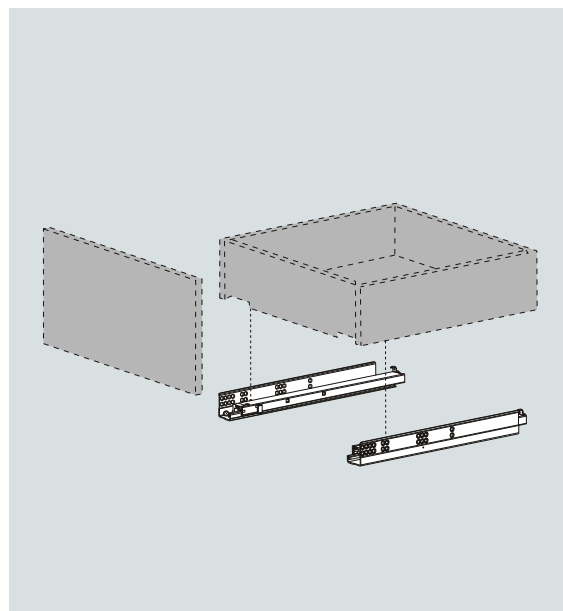
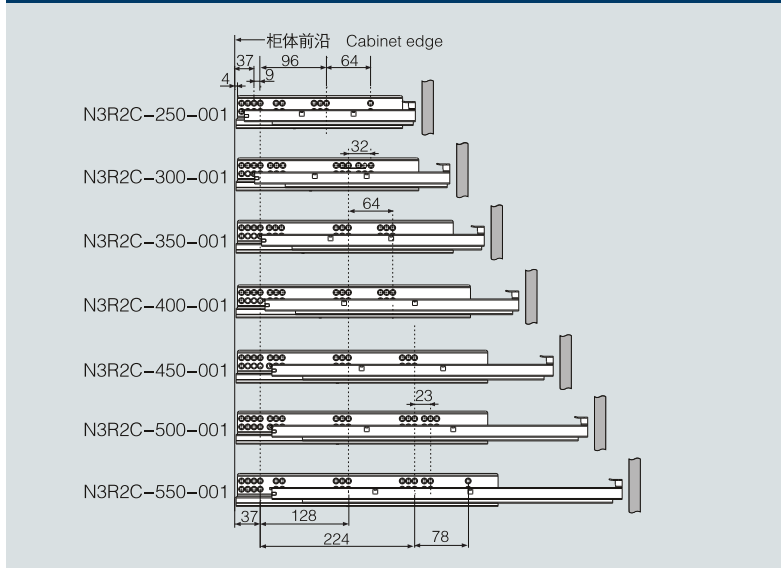
N3R2C-001 三节隐藏式反弹滑轨

Push-open Concealed Full Extension Slide

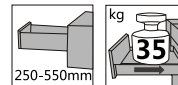


- 隐藏式、全拉出、反弹式
 - 载重: 35kg
 - 材料: 镀锌板
 - 材料厚度(上、中、下)轨: 1.0x1.5x1.8mm
 - 无需工具, 抽屉可快速安装与拆卸
 - 抽屉高度可调节0-4mm
- Push-open concealed full extension slide
 - Dynamic load capacity: 35kg
 - Material: galvanized steel
 - Material thickness: 1.0x1.5x1.8mm
 - Tool-free quick installation
 - Drawer height adjustable for 0-4mm

柜体滑轨安装孔尺寸 Hole pattern

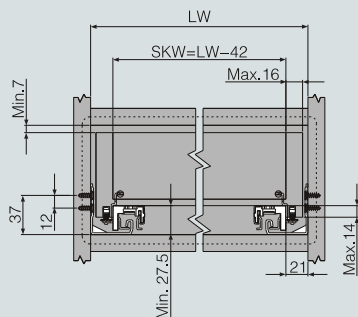


产品型号 Item No.	标称长度NL (mm) Nominal length	拉出长度 (mm) Travel length	最小柜深LT (mm) (外抽 / 内抽) Min cabinet depth (Standard / Inner)	包装(套/箱) Packing (Set/Box)
N3R2C-250-001	250	229	260 / 260+X	10
N3R2C-300-001	300	279	310 / 310+X	10
N3R2C-350-001	350	329	360 / 360+X	10
N3R2C-400-001	400	379	410 / 410+X	10
N3R2C-450-001	450	429	460 / 460+X	10
N3R2C-500-001	500	479	510 / 510+X	10
N3R2C-550-001	550	529	560 / 560+X	10



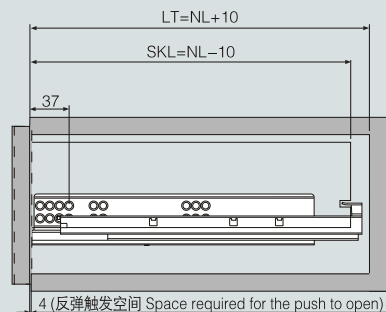
柜体所需空间 Space required

SKW: 抽屉净宽 Drawer width
LW: 柜体净宽 Inside net width
Max.: 最大尺寸



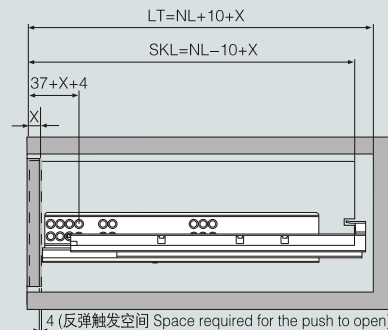
外置抽屉 Standard drawer

NL: 标称长度 Nominal length
SKL: 抽屉长度 Length of drawer
LT: 最小柜深 Min cabinet depth



内置抽屉 Inner drawer

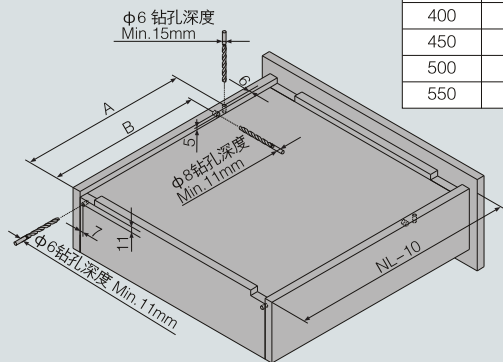
NL: 标称长度 Nominal length
SKL: 抽屉长度 Length of drawer
LT: 最小柜深 Min cabinet depth
X: 面板厚度 Thickness of the front panel



抽屉后背开槽打孔尺寸 Hole size on rear panel of the drawer

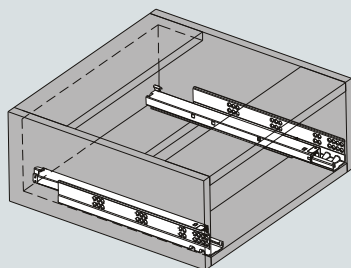
NL: 标称长度 Nominal length
Min.: 最小尺寸

NL (mm)	A (mm)	B (mm)
250	190	200.5
300	245	255.5
350	270	280.5
400	305	319.5
450	330	369.5
500	355	419.5
550	390	469.5

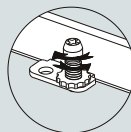


装卸调试步骤说明 Installation instruction

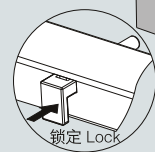
滑轨安装 Installation of the slides



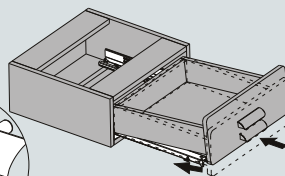
抽屉安装与调节 Installation of the drawer and adjustment



可通过调节轮调节抽屉高度0-4mm
Drawer height adjustable for 0-4mm
by adjustment wheel.

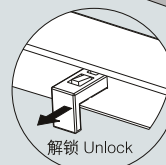
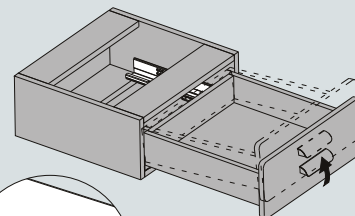


锁定 Lock



将滑轨全拉出，插销解锁后(或留意下插销是否处于解锁状态)，把抽屉与滑轨上的定位块对准放下，然后将插销锁定，再将抽屉水平推入柜体，抽屉即可关闭。
Fully open the slides, make sure the lock in the unlocked station, push the drawer down on the slides, then close the drawer.

抽屉拆卸 Removal of the drawer



解锁 Unlock

将抽屉全拉出，侧插销解锁后，抽屉按箭头方向向上提，即可拆卸。
Fully pull out the drawer, lift it according to the direction of the arrow, the drawer can be demounted easily.