

SH603 卡式滑轨

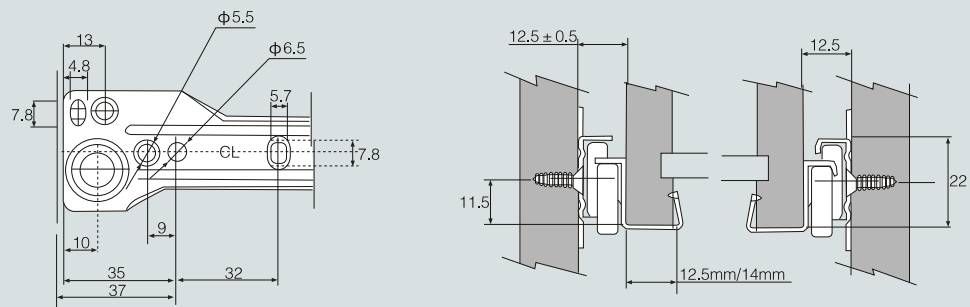
Locked Drawer Slide



- 厚度: 0.9mm、1.0mm、1.1mm、1.2mm
- 载重: 15、20、25kg
- 颜色: 白色、杏色、黑色、啡色或按要求
- 包装: U=20Sets N=25Sets
M=25Pcs/Side P=100Pcs/Side
- 轮子带环形消音圈(A); 白色轮(B); 绿色耐磨轮(C)

- Thickness: 0.9mm, 1.0mm, 1.1mm, 1.2mm
- Dynamic load capacity: 15, 20, 25kg
- Color: white, almond, black, brown or as required
- Packaging: U=20Sets N=25Sets
M=25Pcs/Side P=100Pcs/Side
- Wheel Rollers: rollers with ring noise reducer(a); white rollers(b); Rollers with green stripe noise reducer(c). or as required.

滑轨安装尺寸 Installation size



滑轨安装孔尺寸 Hole pattern

